

HOODY

ezo
B O R D



MEET HOODY





Instantly transform your open plan office space into individually separated, quiet workspaces with EzoBord's modular Hooded Desk divider system nicknamed "Hoody".

The 'Hoody' installs in seconds without the use of any tools and fits onto any new or existing desking/benching system. Compatible with virtually any manufacturer including all major office furniture brands.

CONFIGURATIONS

SINGLE HOODY

'Hoody's' can be added in seconds to any fixed height or adjustable height desks. No tools required.



LINKED HOODY'S

For fixed height workstations, infinitely link 'Hoody's' together on any fixed height bench system.



SINGLE HOODY

For use with height adjustable desking applications. Configurable in rows or back to back creating left/right and vertical social barriers. Add as many 'Hoody's' as you require.

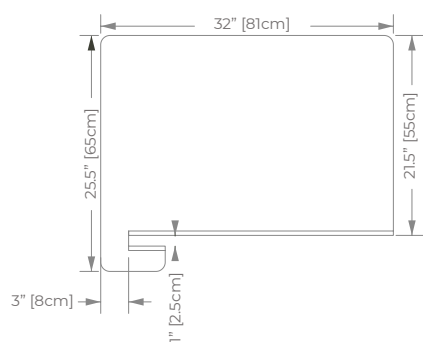




COMPONENTS

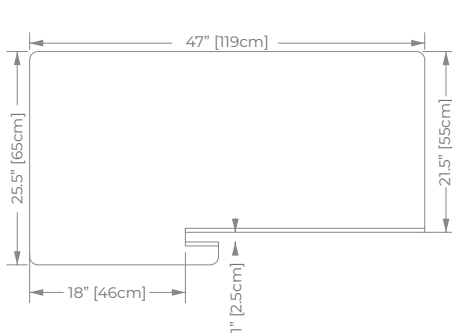
RETURN SCREEN

RTS-RS-243420



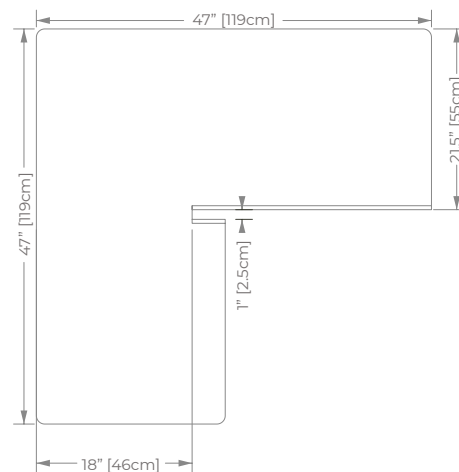
EXTENDED RETURN SCREEN

RTS-EX-244820



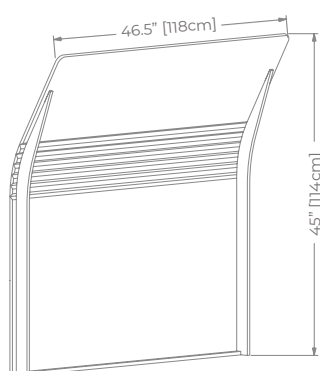
FULL HEIGHT RETURN SCREEN

RTS-FH-484820



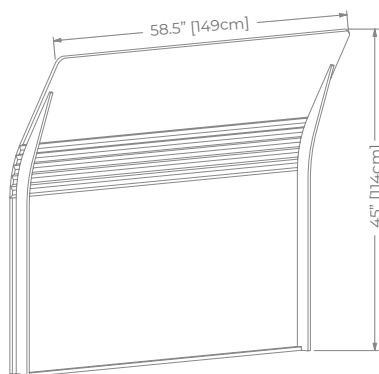
HOODY-TALL (48")

HDS-4845



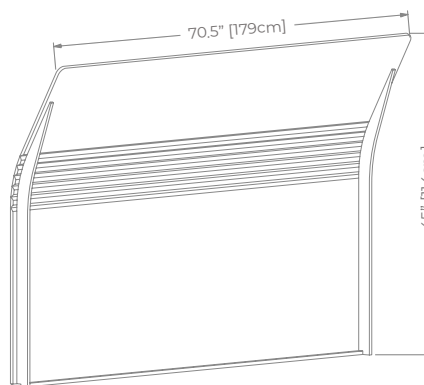
HOODY - GRANDE (60")

HDS-6045



HOODY - VENTI (72")

HDS-7245



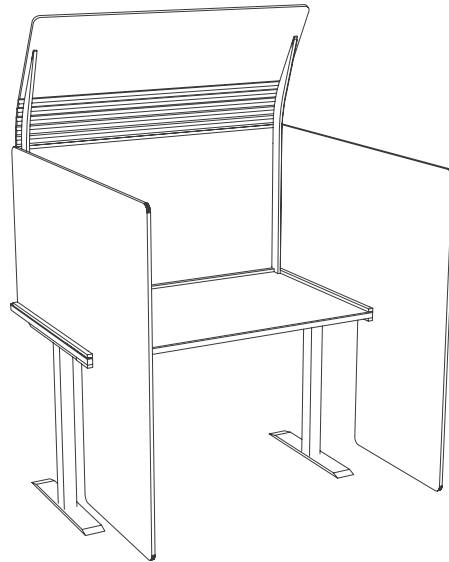
Hoody's fit onto standard 24" (610mm) and 30" (752mm) deep worksurfaces and are available in 3 standard widths: 48" (1220mm), 60" (1524mm) and 72" (1828mm)

Custom sizes and access ways for cable management and monitor arm attachment are available upon request.

www.ezobord.com

SPECIFICATIONS

HOODY



COMPOSITION

100% PET (min. 50% recycled content)

THICKNESS

1/2" (12mm) | ±0.5mm

HARDNESS

60-65 (Shore C)

FIRE TESTING

NORTH AMERICA:

- ASTM E-84 Class A*
- CAN ULC S102-10

EUROPE AND UK:

- EN13501-1: 2007

CLEANING AND MITIGATION OF MICROBIAL / VIRAL CONTAMINATION

Proper PPE must be worn ie. bleach odor respirator, protective eyewear and gloves.

- 1.** Mix equal amount of water and bleach (5.25% sodium hypochlorite solution).
- 2.** Use a hand spray applicator to mist the surface of product, apply generously.
- 3.** Allow treated surface to air dry.

** Upon request, 1/2"(12mm) sheet material is treated with USA origin post-production flame retardant to Class A surface burning characteristics. Post sheet production FR treatment does not contain any Red List Restricted Chemicals and complies with California Proposition 65. Contact customer service for technical information, test data and safety data sheets for flame retardant*

ACOUSTICS

Refer to ASTM C423 test chart for specific absorption rates/frequency.

- 1/2" (12mm): NRC 0.85 (subject to mounting conditions and geometrical properties)

ENVIRONMENT

Made of polyester fiber, min. 50% of which comes from recycled water bottles which contributes to LEED MR Credit and BREEAM Health and Wellbeing, Materials points due to recycled content, acoustic performance, and low emitting materials. No VOC's: CDPH v1.2 and REACH SVHC Compliant.

USGBC LEED V4 CREDITS

While individual products do not 'earn' LEED credits, EzoBord can contribute to the following LEED v4 Credits. Please refer to the USGBC LEED credit guides for detailed requirements.

- EQc9 for enhancing acoustic performance
- MRc3 BPDO for sourcing of raw materials for recycled contribution
- EQc6 interior lighting for surface reflectance (lighter color options).

COLOR & FINISHES

COLORS 3/8" (9MM)



PURE BLACK
PB09



CHARCOAL GRAY
CG06



EBONY SLATE
ES07



DARK GRAY
DG34



SILVER GRAY
SG04



CLASSIC WHITE
CW04



LIGHT BEIGE
LB01



DESERT SAND
DS10



SUNNY DAYS
SD18



TIGER ORANGE
TO24



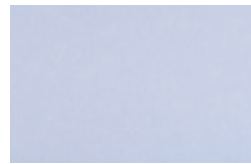
RUBY RED
RR28



DEEP PURPLE
DP30



MIDNIGHT NAVY
MN12



POLAR ICE
PI14



GREEN APPLE
GA41

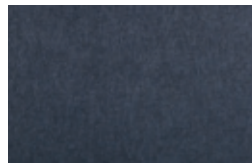
COLORS 1/2" (12MM)



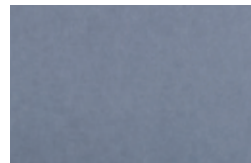
PURE BLACK
PB09



CHARCOAL GRAY
CG06



BOLD GRAY
BG07



ELEPHANT GRAY
EG11



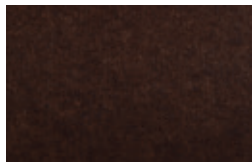
SILVER GRAY
SG04



CLASSIC WHITE
CW04



DESERT SAND
DS10



TREE BARK
TB35



SUNNY DAYS
SD18



BRICK RED
BR34



GRAPE VINE
GV36



ROYAL BLUE
RB08



POLAR ICE
PI14



OCEAN BLUE
OB14



MOSS GREEN
MG10



ENVIRONMENT

Our Commitment to the Environment

There are approximately 50 billion water bottles consumed around the world each year, and only about half of those get recycled. The rest end up in landfills, littered through our neighborhoods, or floating in our oceans.

Bottled water consumption has more than doubled since 2000; in 2015 there was the equivalent of more than 5 bottles of water consumed for every person in the USA every single week. This, of course, means that the amount of oil required to produce the energy used for the water bottling process continues to grow.

In 2007, the last year global statistics of oil consumption were available, between 32 million and 54 million barrels of oil were used to produce the bottled water that was consumed in the USA alone. This energy is used to make the bottles from PET pellets (1 million tons in the USA), treat water, bottle the water, label the bottles, and transport the bottled water. Most of the energy consumption occurs in the creation of the bottles themselves. To help in the lifecycle of this plastic product, we have chosen to manufacture our material so that it recycles these PET bottles. We are doing our part to reduce the waste. This acoustical and tackable material is made from PET bottles in a zero-waste process with postindustrial recycling. An environmentally friendly, sustainable, and waste reduced alternative to traditional acoustical/tackable material that looks great in any office, education, or open space installation.

EzoBord is



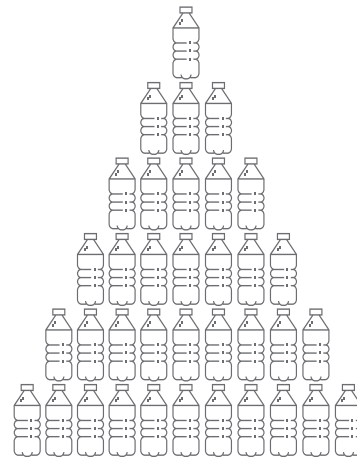
- low VOC
- formaldehyde free

DID YOU KNOW...



For every pound of recycled PET bottles (approximately 23) energy use is reduced by 84% and greenhouse gas emissions are reduced by 71%.

PET BOTTLES



± 166 pet bottles are used to make one $\frac{3}{8}$ " 9mm thick EzoBord sheet.

± 318 pet bottles are used to make one $\frac{1}{2}$ " 12mm thick EzoBord sheet.





DESIGN
DRIVEN
ACOUSTICS

CANADA

Ayrsonics Inc - Ontario

825 Trillium Drive
Kitchener, Ontario N2R 1J9
844-441-1122
sales@ayrsonics.com

Ayrsonics Inc - Alberta

292236 Nose Creek Boulevard
Building 1B, Unit #19
Rocky View County, AB T4A 3N7
844-441-1122
sales@ayrsonics.com

EzoBord Corporate Office

6845 Rexwood Road, Unit 7
Mississauga, ON L4V 1S5
416-665-3571
info@ezobord.com

UNITED STATES

Ayrsonics Midwest LLC

820 Tollgate Road
Elgin, IL 60123
800-517-0686
sales.amw@ayrsonicsusa.com

Ayrsonics Southwest LLC

8934 Eton Ave
Canoga Park, CA 91304
213-833-9700
sales.asw@ayrsonicsusa.com

Ayrsonics Southeast LLC

15 Enterprise Way
Dahlonega, GA 30533
706-539-4711
sales.ase@ayrsonicsusa.com

UNITED KINGDOM

EzoBord UK Limited

Unit 20, Westwood Business Park
Margate, Kent. CT9 4JJ
+44 1843-264027
sales@ezobord.co.uk

IRELAND

EzoBord Ireland Limited

Inniscarra, Main Street,
Rathcoole, Co. Dublin,
D24 EO29, Ireland
+353 1485-4774
sales@ezobord.ie

CENTRAL & LATIN AMERICA

EzoBord Costa Rica SRL

100 Sur 25 Oeste Recope
Bodega #16 Ochomogo, Cartago
+506 8842-4613
info-ebcr@ezobord.com

EzoBord - LATAM

Buenos Aires, Argentina
+54 9 11 5657-1793
info-latam@ezobord.com

FOLLOW US    